

KL186



www.sinchitech.com

User's Manual

Welcome to a smarter way of preserving wines. Use our ingenious airtight reusable silicone wine stoppers in combination with the automatic vacuum pump. Together, they preserve the freshness of your wine longer at room temperature by slowing down the oxidation process.

The KL186 Vacuum Wine Saver includes 6 pcs food grade silicone wine stoppers and 1 pc automatic vacuum pump.

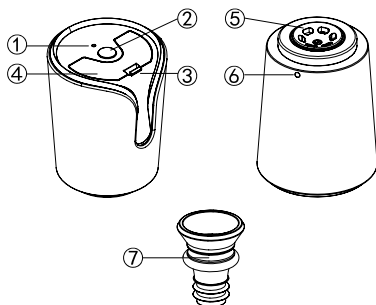
Powered by four AA batteries, the SINCHI automatic vacuum pump has a hands-free, one-click design, enabling it to remove air from a bottle in a few seconds and attain a standard vacuum pressure every time. It can also be used to vacuum pack SINCHI vacuum zipper bags and canisters, which can be found in our online stores.

Please read this manual carefully before operation.



Parts of the Product

- ① LED Indicator
- ② Power Switch Button
- ③ Battery Cover Hook
- ④ Battery Cover
- ⑤ Silicone Seal
- ⑥ Air Outlet
- ⑦ Silicone Bottle Stopper (6pcs)



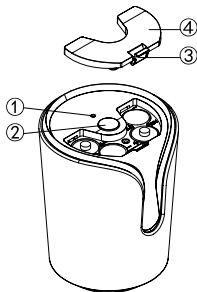
Specifications

Model No.	KL186
Pre-Set Vacuum Pressure	-0.5 bar
Pump Capacity	min. 3 liters/minute
Power Consumption	3 W
External Dimensions	Pump: Ø70 x H 92 mm
	Bottle Stopper: Ø40 x H 50 mm
Net Weight	0.92 pounds


Operation


1. Install Batteries

The vacuum pump is powered by four AA batteries. Gently squeeze the ③ Battery Cover Hook to open the ④ Battery Cover. Install four new AA batteries in the battery compartment, aligning their positive and negative ends as shown on the top of the battery compartment. Then replace the ④ Battery Cover. Press the ② Power Switch Button once, the vacuum pump should begin to operate and make a noise, and the ① LED Indicator should also be lit up. Press the button once again, the pump will stop.



The ① LED Indicator indicates vacuum operation and battery level. When the vacuum pressure reaches the pre-set level, the ① LED Indicator flashes. When the battery level is low, it flashes differently during operation to remind you to replace the batteries.

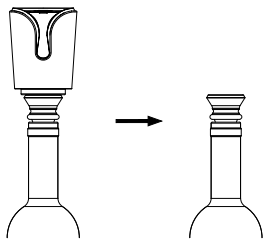
 The positive/negative ends of the batteries must be positioned correctly to power the pump.

 Generally, new batteries can be used for a minimum of three to five months, depending on how frequently the pump is used.

i The vacuum pump can also be used to vacuum pack SINCHI vacuum zipper bags and canisters, which can be found in our online stores.

2. Preserving Wine by Vacuum

Insert the food grade silicone stopper into the wine bottle. Place the pump on the silicone stopper and press the ② Power Switch Button once. The pump will start to remove air from the wine bottle. The ① LED Indicator will flash for a few seconds once it reaches the pre-set vacuum pressure, and then the pump will stop automatically. Wait for a few seconds, and then remove the pump from the silicone stopper. The vacuuming process is complete.




Do not vacuum sparkling wine or Champagne.



Vacuum-preserved wine stored at room temperature is recommended to be consumed within two weeks.

Maintenance:

1. The water-resistant design safeguards the system from damage if a small amount of wine is accidentally pulled into the pump. That wine can be drained out of the ⑥ Air Outlet.

 Liquid such as coffee, fruit juice, and oil will remain in the pump and cannot be completely drained from it. The residue may permanently affect the pump's performance. If this has occurred, please contact us for technical service.

2. Clean the ⑤ Silicone Seal and the area under it regularly. These are the parts that can be contaminated by liquid or food accidentally vacuumed out of the wine bottle, canister, or bag, so they must be cleaned regularly.

- Pull out the ⑤ Silicone Seal from the pump, wash it under a tap, dry it, and then fix it back.
- When the ⑤ Silicone Seal is pulled out, you can find a small piece of round black sponge in the air inlet hole. This is an air filter. Take it out and rinse it gently in water (not under the tap, as it could easily be rinsed down the drain). Then squeeze and dry it and fix it back in the air inlet hole.
- Clean the area below the ⑤ Silicone Seal with a soft, moist cloth. No water should be used directly on this part.

Troubleshooting

Problem	Solutions
The pump does not work.	<ul style="list-style-type: none">• Make sure the batteries are installed properly.• Replace the batteries. New batteries have a lifetime of about three to five months in the vacuum pump.
The pump does not stop automatically.	Make sure the pump has been placed in the right position on the silicone stopper.
The silicone bottle stopper does not maintain the vacuum seal.	Check for foreign objects, such as hair or dust, on the surface. Wash the bottle stopper with tap water.



Dispose of the device properly in an environmentally friendly way at an authorized collection point. Do not dispose of any part of the device or packaging in domestic waste containers.



This device complies with part 15 of the FCC Rules. Operation is subject to the following two conditions: (1) This device may not cause harmful interference, and (2) this device must accept any interference received, including interference that may cause undesired operation.

Designed and manufactured by **SINCHI**.

